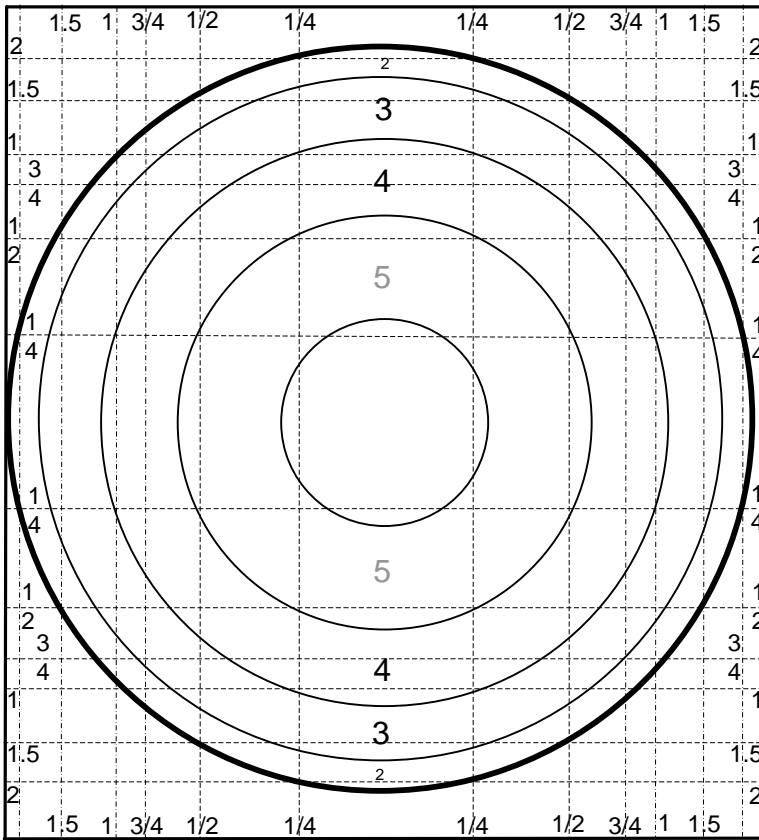


900 Yd ICFRA F Class

06/11/11

1 MOA @ 900 yds = 9.4"

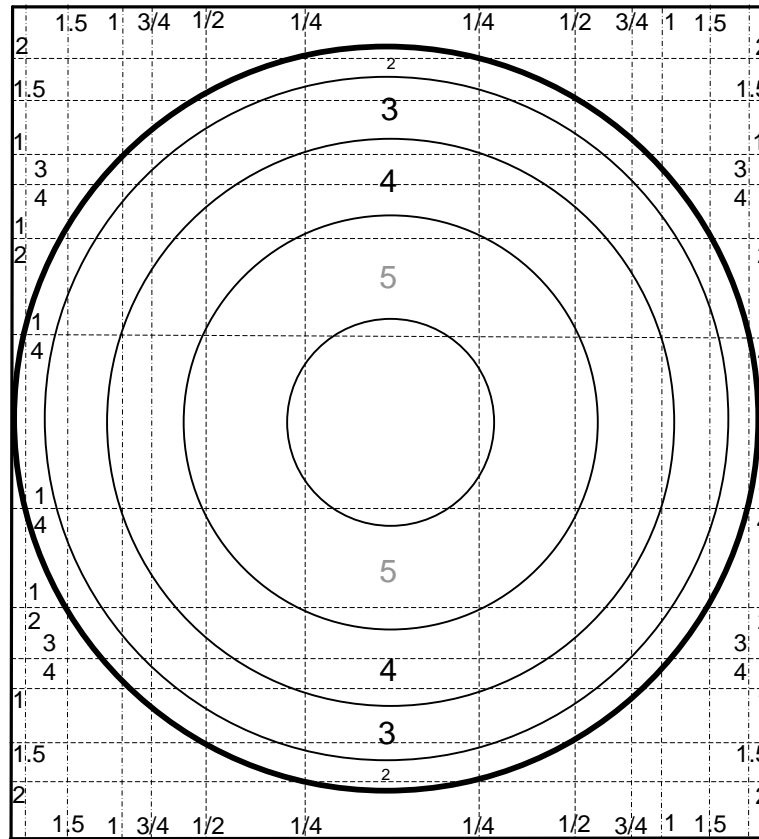


| | | | |
|-----------------------|----------------|--------------|-------------------------------|
| Place | | Date | |
| Target No. | | Relay | |
| Time | | Time | |
| Rifle | | Ammunition | |
| Light Direction | Wind Direction | Scope | |
| Temp | MPH | Mirage | Elevation |
| | | Windage | |
| Elevation Zero | | Windage Zero | |
| Elevation Used | | Windage Used | |
| 0-1-T90% | SS1 | SS2 | 1 2 3 4 5 6 7 8 9 10 |
| Elevation | | | |
| Windage | | | |
| Call | | | |
| Value | | | |
| GRP 6/11/11 | SS3 | SS4 | 11 12 13 14 15 16 17 18 19 20 |
| Elevation | | | |
| Windage | | | |
| Call | | | |
| Value | | | |
| Reloading Information | | | Score |
| Brass | Primers | | |
| Powder | Gr. Wt. | | |
| Bullet | OAL | | |

900 Yd ICFRA F Class

06/11/11

1 MOA @ 900 yds = 9.4"



| | | | |
|-----------------------|----------------|--------------|-------------------------------|
| Place | | Date | |
| Target No. | | Relay | |
| Time | | Time | |
| Rifle | | Ammunition | |
| Light Direction | Wind Direction | Scope | |
| Temp | MPH | Mirage | Elevation |
| | | Windage | |
| Elevation Zero | | Windage Zero | |
| Elevation Used | | Windage Used | |
| 0-1-T90% | SS1 | SS2 | 1 2 3 4 5 6 7 8 9 10 |
| Elevation | | | |
| Windage | | | |
| Call | | | |
| Value | | | |
| GRP 6/11/11 | SS3 | SS4 | 11 12 13 14 15 16 17 18 19 20 |
| Elevation | | | |
| Windage | | | |
| Call | | | |
| Value | | | |
| Reloading Information | | | Score |
| Brass | Primers | | |
| Powder | Gr. Wt. | | |
| Bullet | OAL | | |